

Specifications:

Material And Finish:

Insulator:High Temp. Plastic(LCP UL94V-0)

Insulator Color:Black

Contact:Brass

Plated:Gold Plating on Contact and Tin Plating on Soldertail,over nickel Plating

Rating:

Current Rating:1.0 Amp

Voltage Rating:100V AC/DC

Operating Temperature Range:-40°~+105°C

Electrical:

Contact resistance:30m Ohm Max

Insulator resistance:1000M ohm min.

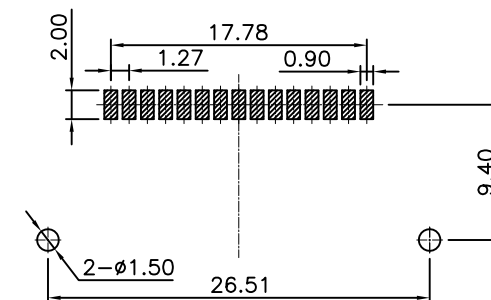
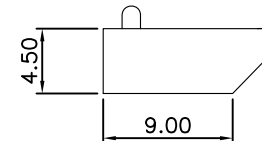
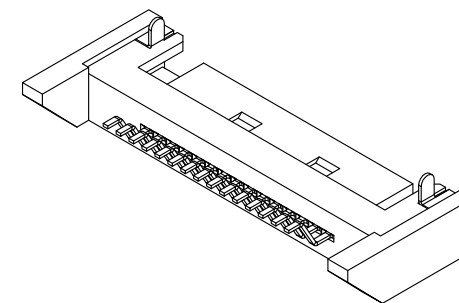
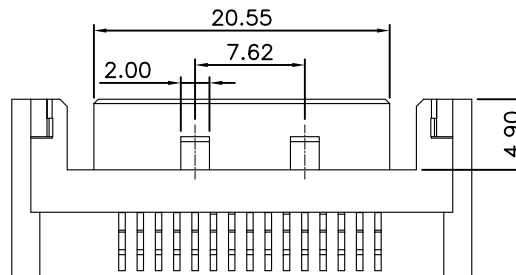
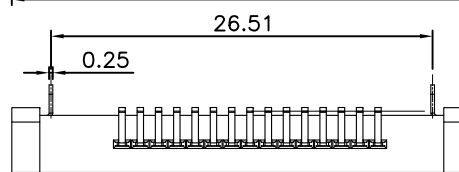
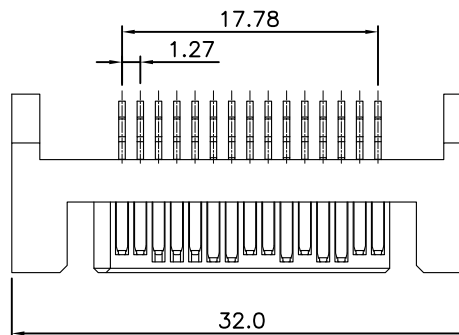
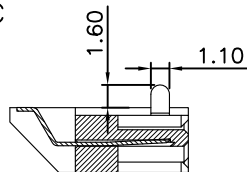
Withstanding Voltage:750V AC/Minute

Ordering Information

ATAAPM-15X-01-X

1 2 3 4 5

- 1: — Series No.
- 2: — M:SMT Type
- 3: — No. of Positions
- 4: — H:Selective Gold Plated
K:Selective Gold 5U”
L:Selective Gold 10U”
M:Selective Gold 15U”
P:Selective Gold 30U”
- 5: — B:In Tube
C:In Tray



Recommended PCB Layout

RoHS Compliant

5X			
4X			
3X			
2X			
1X	ORIGINAL	joy chen	
REV.	DESCRIPTION	DR.BY	ECN. NO.

DR.BY:	joy chen	
CHKD.:	jerry Liu	
APPD.:	Peter Li	

GENERAL TOLERANCE:	
LINEAR	ANGLES
X.: ±0.30	X': ±5.0°
X.X: ±0.20	X.X': ±3.0°
X.XX: ±0.15	X.XX': ±2.0°
X.XXX: ±0.10	X.XXX': ±1.0°

PART NO : ATAAPM-15X-01-X
 DWG. NO.: RD0805-025
 TITLE : Serial ATA 15P Male SMT Type
 DATE: 09-May-2008

BRIGHT 東莞市常平華晶電子廠
 Dong Guan Bright Electronic Factory

SHEET: 1/1
 SCALE: 1:1
 UNIT: mm

THIRD ANGLE PROJECTION

A4