

Specifications:

Material And Finish:

Insulator:High Temp. Plastic(LCP UL94V-0)
 Insulator Color:Black
 Contac:Brass
 Plated:Gold Plating on Contact and Tin Plating
 on Soldertail,over nickel Plating

Rating:

Current Rating:1.0 Amp
 Voltage Rating:100V AC/DC
 Operating Temperature Range:-40°~+105°C

Electrical:

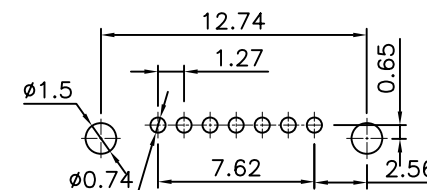
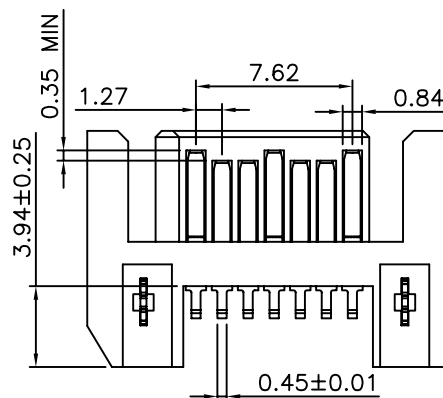
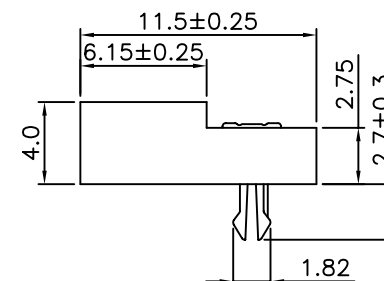
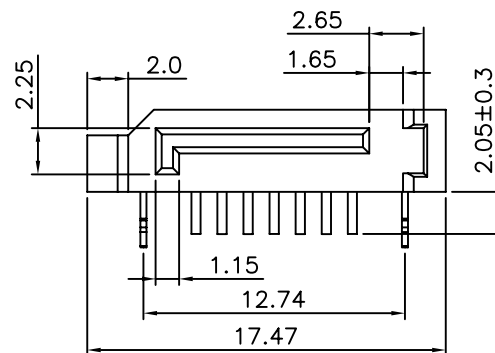
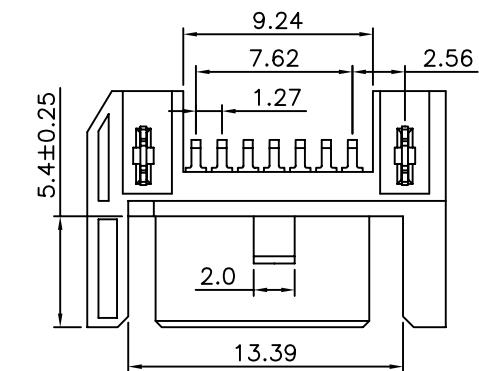
Contact resistance:30m Ohm Max
 Insulator resistance:1000M ohm min.
 Withstanding Voltage:750V AC/Minute

Ordering Information

ATAAPR-07X-01-X

1 2 3 4 5

- 1: — Series No.
- 2: — R:R/A Type
- 3: — No. of Positions
- 4: — H:Selective Gold Plated
 K:Selective Gold 5U”
 L:Selective Gold 10U”
 M:Selective Gold 15U”
 P:Selective Gold 30U”
- 5: — B:In Tube
 C:In Tray



Recommended PCB Layout

RoHS Compliant

5X			
4X			
3X			
2X			
1X	ORIGINAL	joy chen	
REV.	DESCRIPTION	DR.BY	ECN. NO.

DR.BY: joy chen	GENERAL TOLERANCE:	
CHKD.: jerry Liu	LINEAR	ANGLES
APPD.: <i>Peter Li</i>	X.: ±0.30	X': ±5.0°
	X.X: ±0.20	X.X': ±3.0°
	X.XX: ±0.15	X.XX': ±2.0°
	X.XXX: ±0.10	X.XXX': ±1.0°

PART NO : ATAAPR-07X-01-X
DWG. NO.: RD0805-018
TITLE : Serial ATA 7P Male R/A Type
DATE: 09-May-2008

BRIGHT 東莞市常平華晶電子廠
 Dong Guan Bright Electronic Factory

SHEET: 1/1
 SCALE: 1:1
 UNIT: mm

THIRD ANGLE PROJECTION

A4