

Specifications:

Material And Finish:

Insulator:High Temp. Plastic(LCP UL94V-0)
 Insulator Color:Black
 Contac:Brass
 Plated:Gold Plating on Contact and Tin Plating
 on Soldertail,over nickel Plating

Rating:

Current Rating:1.0 Amp
 Voltage Rating:100V AC/DC
 Operating Temperature Range:-40°~+105°C

Electrical:

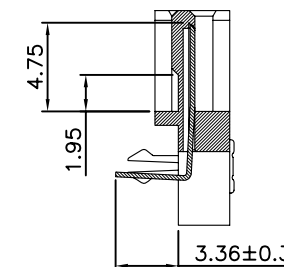
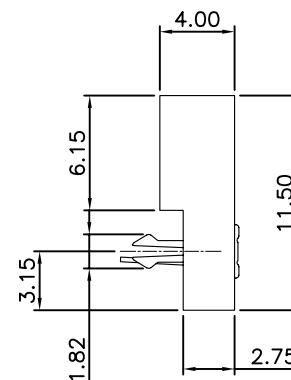
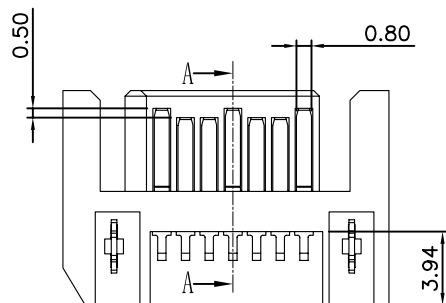
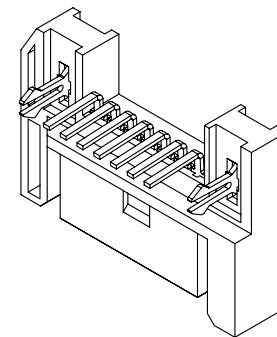
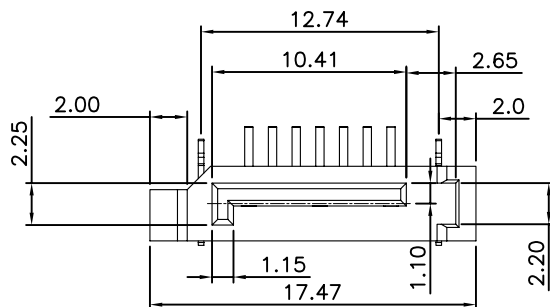
Contact resistance:30m Ohm Max
 Insulator resistance:1000M ohm min.
 Withstanding Voltage:750V AC/Minute

Ordering Information

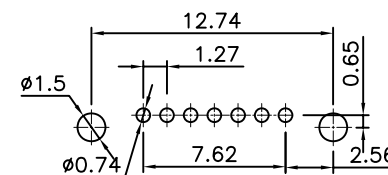
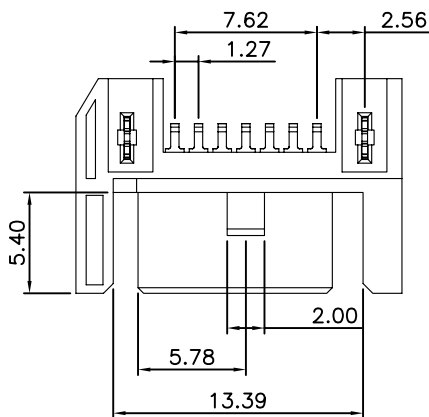
ATAAPR-07X-02-X

1 2 3 4 5

- 1: — Series No.
- 2: — R:R/A Type
- 3: — No. of Positions
- 4: — H:Selective Gold Plated
 K:Selective Gold 5U”
 L:Selective Gold 10U”
 M:Selective Gold 15U”
 P:Selective Gold 30U”
- 5: — B:In Tube
 C:In Tray



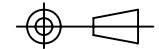
Section A-A



Recommended PCB Layout

RoHS Compliant

5X				DR.BY.: joy chen	GENERAL TOLERANCE:		PART NO : ATAAPR-07X-02-X	BRIGHT 東莞市常平華晶電子廠 Dong Guan Bright Electronic Factory
4X					LINEAR	ANGLES	DWG. NO.: RD0805-019	
3X				CHKD.: jerry Liu	X.: ±0.30	X': ±5.0°	TITLE :	SHEET: 1/1
2X				APPD.: <i>Peter Li</i>	X.X: ±0.20	X.X': ±3.0°	Serial ATA 7P Male Reverse R/A Type	SCALE: 1:1
1X	ORIGINAL	joy chen			X.XX: ±0.15	X.XX': ±2.0°	DATE: 09-May-2008	UNIT: mm
REV.	DESCRIPTION	DR.BY	ECN. NO.		X.XXX: ±0.10	X.XXX': ±1.0°		THIRD ANGLE PROJECTION



A4