

Specifications:

Material And Finish:

Insulator:High Temp. Plastic(LCP UL94V-0)
 Insulator Color:Black
 Contac:Brass
 Plated:Gold Plating on Contact and Tin Plating on Soldertail,over nickel Plating

Rating:

Current Rating:1.0 Amp
 Voltage Rating:100V AC/DC
 Operating Temperature Range:-40°~+105°C

Electrical:

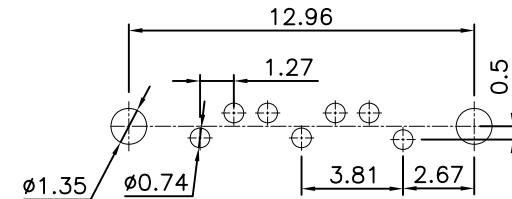
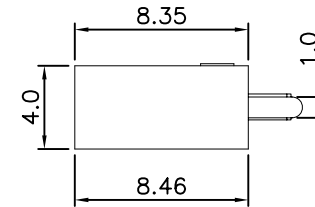
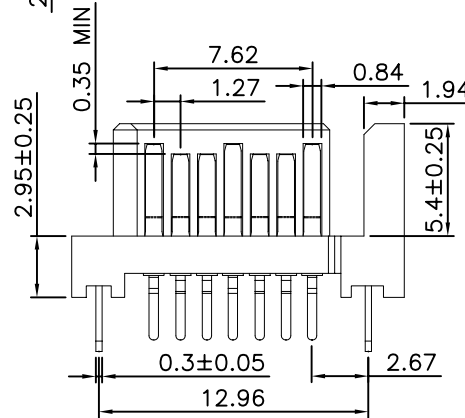
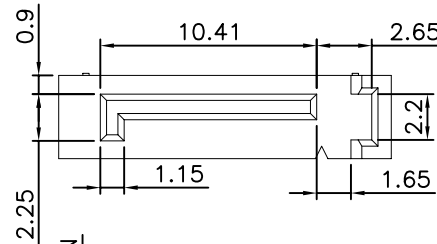
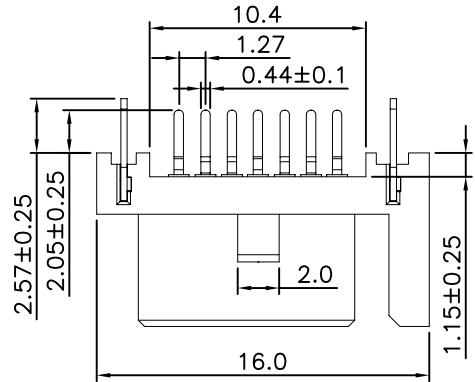
Contact resistance:30m Ohm Max
 Insulator resistance:1000M ohm min.
 Withstanding Voltage:750V AC/Minute

Ordering Information

ATAAPS-07X-01-X

1 2 3 4 5

- 1: — Series No.
- 2: — S: Straight Type
- 3: — No. of Positions
- 4: — H: Selective Gold Plated
 K: Selective Gold 5U”
 L: Selective Gold 10U”
 M: Selective Gold 15U”
 P: Selective Gold 30U”
- 5: — B: In Tube
 C: In Tray



Recommended PCB Layout

RoHS Compliant

5X				DR.BY.: joy chen	GENERAL TOLERANCE:		PART NO : ATAAPS-07X-01-X	BRIGHT 東莞市常平華晶電子廠 Dong Guan Bright Electronic Factory
4X				CHKD.: jerry Liu	LINEAR	ANGLES	DWG. NO.: RD0805-014	
3X				APPD.: <i>Peter Li</i>	X.: ±0.30	X': ±5.0°	TITLE : SATA 7P Male Straight Type	SHEET: 1/1
2X	ORIGINAL	joy chen			X.X: ±0.20	X.X': ±3.0°	DATE: 09-May-2008	SCALE: 1:1
1X					X.XX: ±0.15	X.XX': ±2.0°		UNIT: mm
REV.	DESCRIPTION	DR.BY	ECN. NO.		X.XXX: ±0.10	X.XXX': ±1.0°		THIRD ANGLE PROJECTION

A4