

Specifications:

Material And Finish:

Insulator:High Temp. Plastic(LCP UL94V-0)
 Insulator Color:Black
 Contact:Brass
 Body lock:Brass
 Plated:Gold Plating on Contact and Tin Plating on Solder tail,over nickel Plating

Rating:

Current Rating:1.0 Amp
 Voltage Rating:100V AC/DC
 Operating Temperature Range:-40°~+105°C

Electrical:

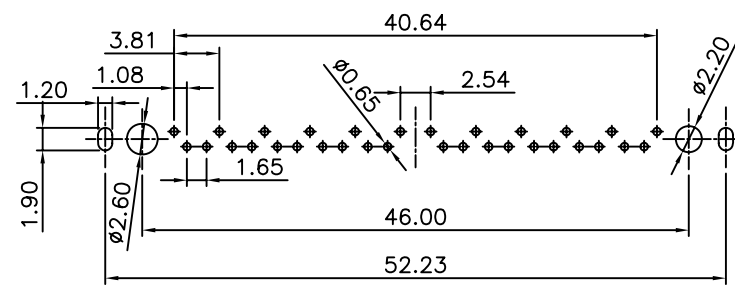
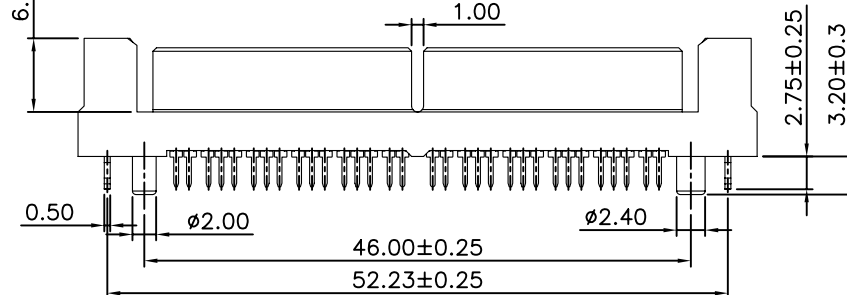
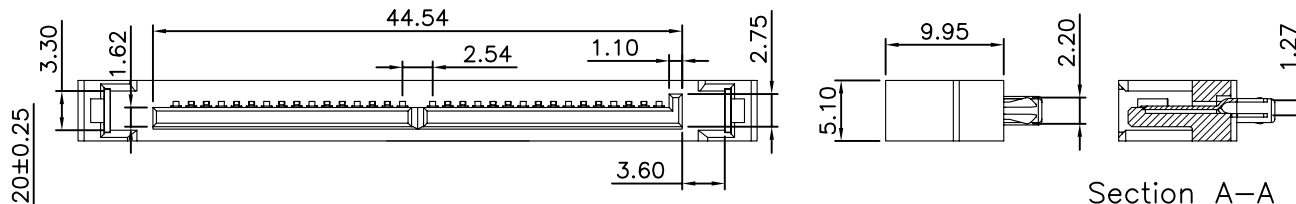
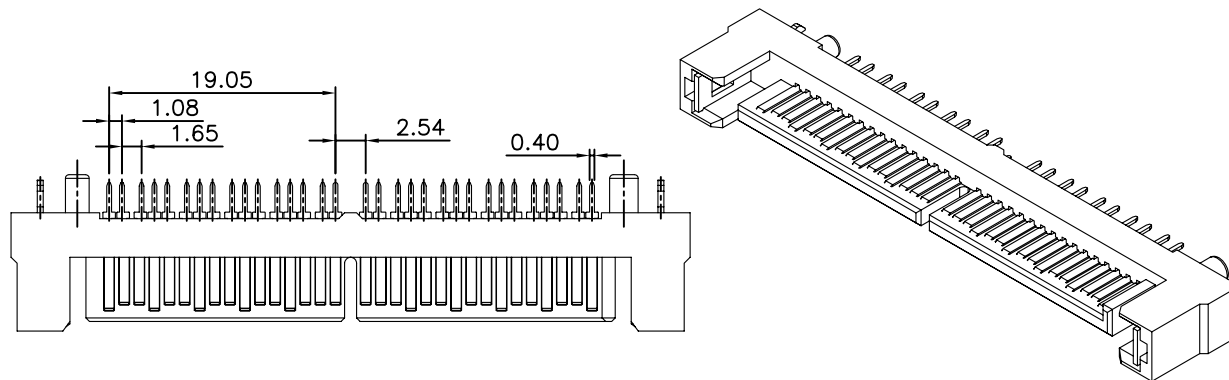
Contact resistance:30m Ohm Max
 Insulator resistance:1000M ohm min.
 Withstanding Voltage:750V AC/Minute

Ordering Information

ATAAPS-32X-01-X

1 2 3 4 5

- 1: — Series No.
- 2: — S:Striaght type
- 3: — No. of Positions
- 4: — H:Selective Gold Plated
 K:Selective Gold 5U”
 L:Selective Gold 10U”
 M:Selective Gold 15U”
 P:Selective Gold 30U”
- 5: — B:In Tube
 E:W/Cap In Tube



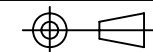
Recommended PCB Layout
 DEF AULT TOLERANCE:±0.05

RoHS Compliant

5X				DR.BY:	GENERAL TOLERANCE:		PART NO : ATAAPS-32X-01-X	
4X				joy chen	LINEAR	ANGLES	DWG. NO.: RD0805-035	
3X				CHKD.:	x.: ±0.30	x': ±5.0°	TITLE :	
2X				jerry Liu	x.x: ±0.20	x.x': ±3.0°	SATA 16+16P Male Striaght type	
1X	ORIGINAL	joy chen		APPD.:	x.xx: ±0.15	x.xx': ±2.0°	DATE: 07-May-2008	
REV	DESCRIPTION	DR.BY	ECN. NO.	<i>Peter Li</i>	x.xxx: ±0.10	x.xxx': ±1.0°		

BRIGHT 東莞市常平華晶電子廠
 Dong Guan Bright Electronic Factory

SHEET: 1/1
 SCALE: 1:1
 UNIT: mm



THIRD ANGLE PROJECTION

A4