

Specifications:

Material And Finish:

Insulator:High Temp. Plastic(LCP UL94V-0)
 Insulator Color:Black
 Contact:Phosphor Bronze
 Body lock:Brass
 Plated:Gold Plating on Contact and Tin Plating on Solder tail,over nickel Plating

Rating:

Current Rating:1.0 Amp
 Voltage Rating:100V AC/DC
 Operating Temperature Range:-40°~+105°C

Electrical:

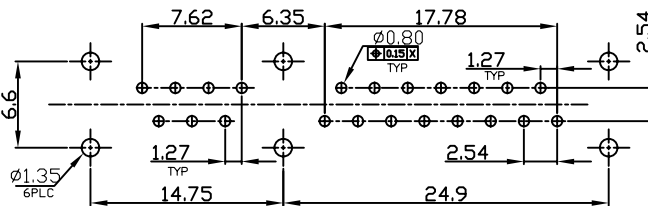
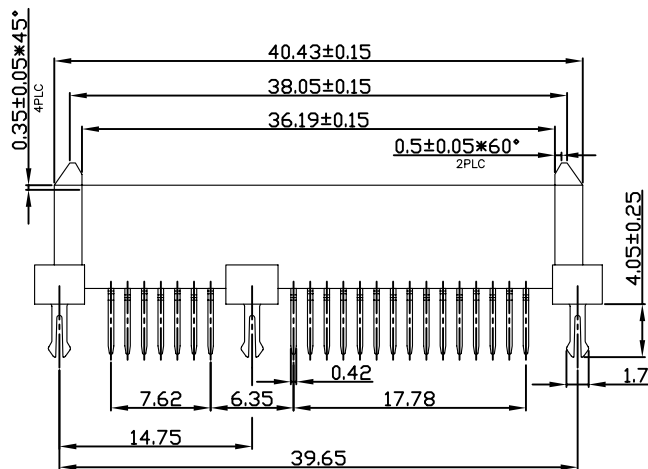
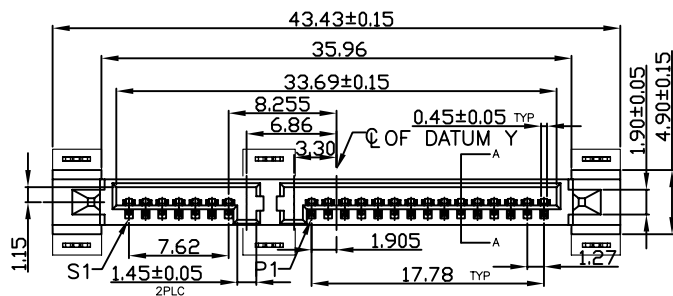
Contact resistance:30m Ohm Max
 Insulator resistance:1000M ohm min.
 Withstanding Voltage:750V AC/Minute

Ordering Information

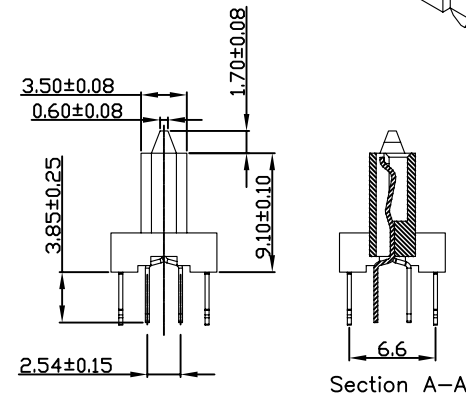
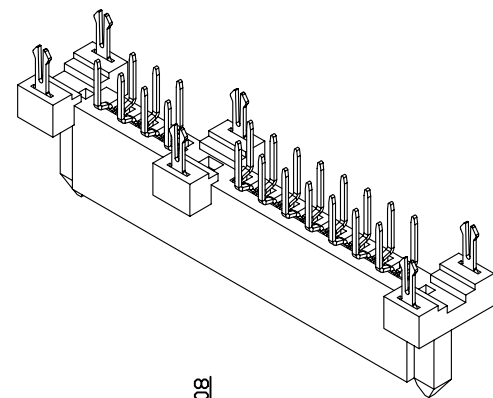
ATABSS-22X-01-X

1 2 3 4 5

- 1: — Series No.
- 2: — S:Striaght type
- 3: — No. of Positions
- 4: — H:Selective Gold Plated
 K:Selective Gold 5U”
 L:Selective Gold 10U”
 M:Selective Gold 15U”
 P:Selective Gold 30U”
- 5: — B:In Tube
 E:W/Cap In Tube



Recommended PCB Layout
 DEF AULT TOLERANCE:±0.05



Section A-A

RoHS Compliant

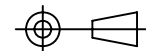
5X			
4X			
3X			
2X			
1X	ORIGINAL	joy chen	
REV	DESCRIPTION	DR.BY	ECN. NO.

DR.BY:	joy chen
CHKD.:	<i>jerry Liu</i>
APPD.:	<i>Peter Li</i>

GENERAL TOLERANCE:		PART NO : ATABSS-22X-01-X
LINEAR	ANGLES	DWG. NO.: RD0805-028
x.: ±0.30	x': ±5.0°	TITLE :
x.x: ±0.20	x.x': ±3.0°	SATA 7+15P Female Striaght type
x.xx: ±0.15	x.xx': ±2.0°	DATE: 07-May-2008
x.xxx: ±0.10	x.xxx': ±1.0°	

BRIGHT 東莞市常平華晶電子廠
 Dong Guan Bright Electronic Factory

SHEET: 1/1
 SCALE: 1:1
 UNIT: mm



THIRD ANGLE PROJECTION

A4