

**Specifications:**

**Material And Finish:**

Insulator:High Temp. Plastic(LCP UL94V-0)  
 Insulator Color:Black  
 Contac:Brass  
 Plated:Gold Plating on Contact and Tin Plating  
 on Soldertail,over nickel Plating

**Rating:**

Current Rating:1.0 Amp  
 Voltage Rating:100V AC/DC  
 Operating Temperature Range:-40°~+105°C

**Electrical:**

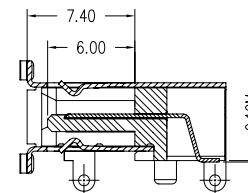
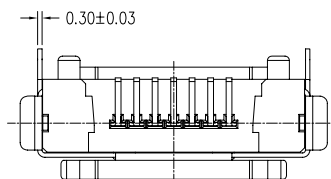
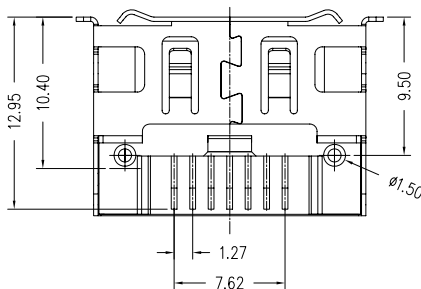
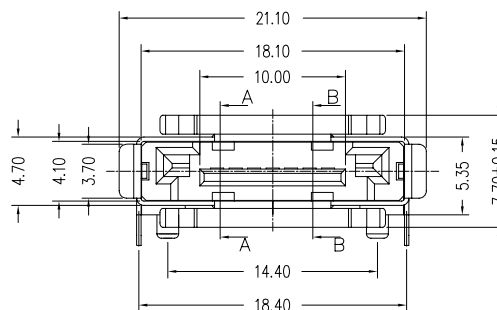
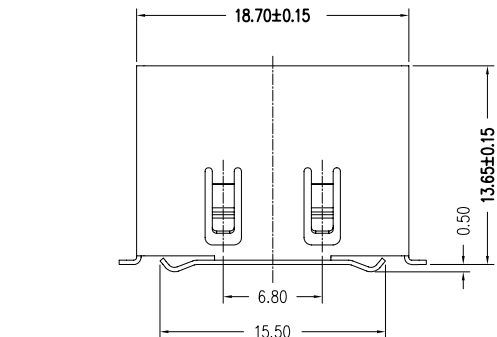
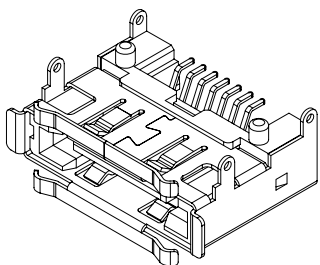
Contact resistance:30m Ohm Max  
 Insulator resistance:1000M ohm min.  
 Withstanding Voltage:750V AC/Minute

**Ordering Information**

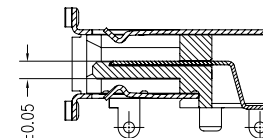
**EATAAPM-07X-01-X**

1 2 3 4 5

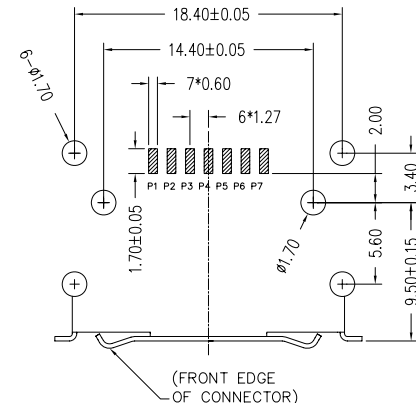
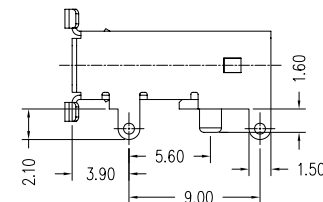
- 1: — Series No.
- 2: — M:SMT Type
- 3: — No. of Positions
- 4: — H:Selective Gold Plated  
 K:Selective Gold 5U”  
 L:Selective Gold 10U”  
 M:Selective Gold 15U”  
 P:Selective Gold 30U”
- 5: — B:In Tube  
 C:In Tray



Section A-A



Section B-B



Recommended PCB Layout

RoHS Compliant

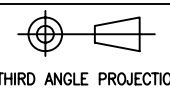
5X			
4X			
3X			
2X			
1X	ORIGINAL	joy chen	
REV.	DESCRIPTION	DR.BY	ECN. NO.

DR.BY:	joy chen
CHKD.:	<i>jerry Liu</i>
APPD.:	<i>Peter Li</i>

GENERAL TOLERANCE:		PART NO : EATAAPM-07X-01-X
LINEAR	ANGLES	DWG. NO.: RD0805-024
x.: ±0.30	x': ±5.0°	TITLE :
x.x: ±0.20	x.x': ±3.0°	E-Serial ATA 7P Male SMT Type
x.xx: ±0.15	x.xx': ±2.0°	DATE: 09-May-2008
x.xxx: ±0.10	x.xxx': ±1.0°	

**BRIGHT** 東莞市常平華晶電子廠  
 Dong Guan Bright Electronic Factory

SHEET: 1/1  
 SCALE: 1:1  
 UNIT: mm



THIRD ANGLE PROJECTION

**A4**